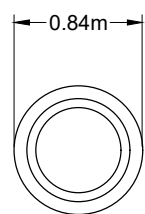
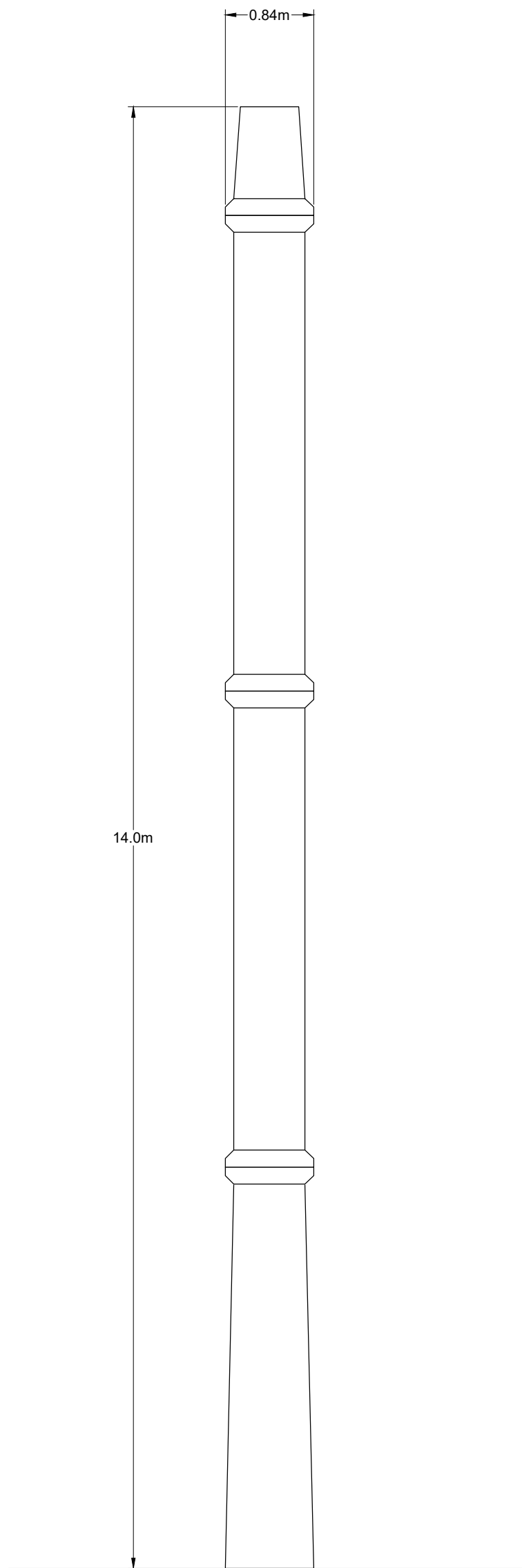


Notes:

1. All measurements are in metres unless otherwise specified.



PLAN



ELEVATION



Scale 1:50

Rev	Amendments	Date	By	Chk	Auth
0					



www.slrconsulting.com

Drawing Status & Suitability Code
Planning Application



Project
Lound
Planning Application

Drawing Title
Drying Plant Stack - Plan & Elevations

Scale 1:50	@ A3	SLR Project No. 403.000007.00001
---------------	------	-------------------------------------

Designed N/A	Drawn KW	Checked MM	Authorised CL
-----------------	-------------	---------------	------------------

Date N/A	Date 11/23	Date 11/23	Date 11/23
-------------	---------------	---------------	---------------

Drawing Number 007E	Rev. 0
-------------------------------	------------------

\\naifn07fbs\Admin\Projects 214\weEnergy\1426\403.000007.00001 - Lound Drawing Support\Tech\TD - max 3 characters - rename to suit\Drawgs\Final\Planning_Application_Nov_2023\403.000007.00001.12.007E.P01_Drying_Plant_Stack.dwg 06/11/2023