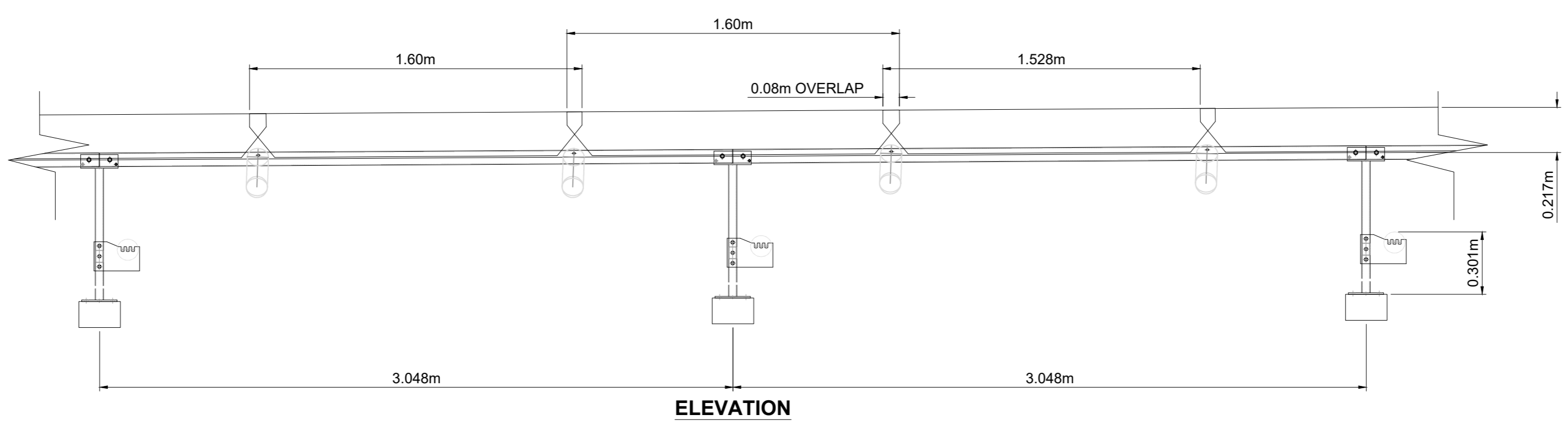
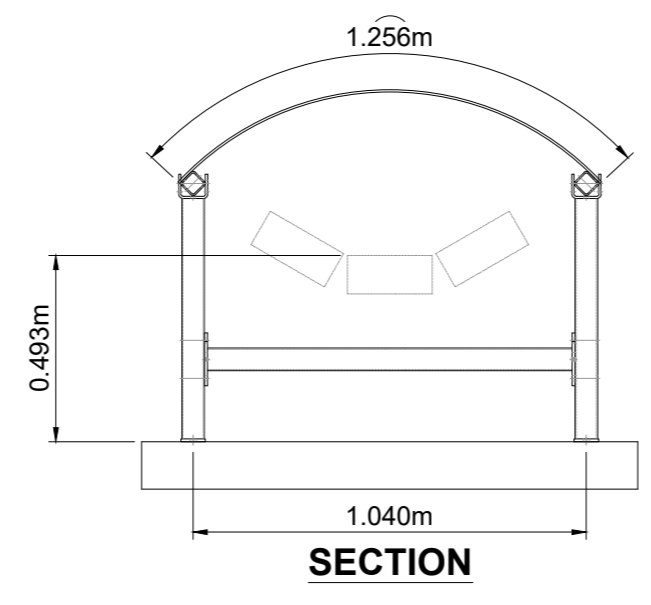
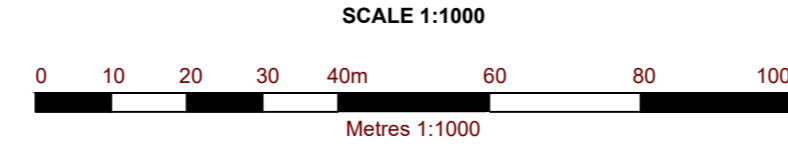


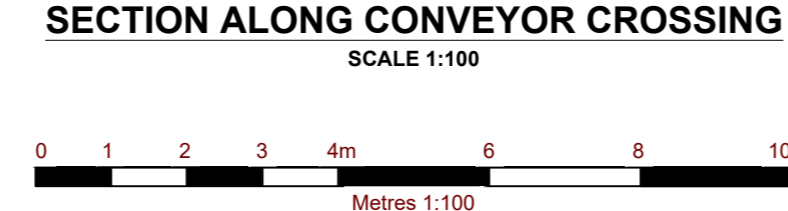
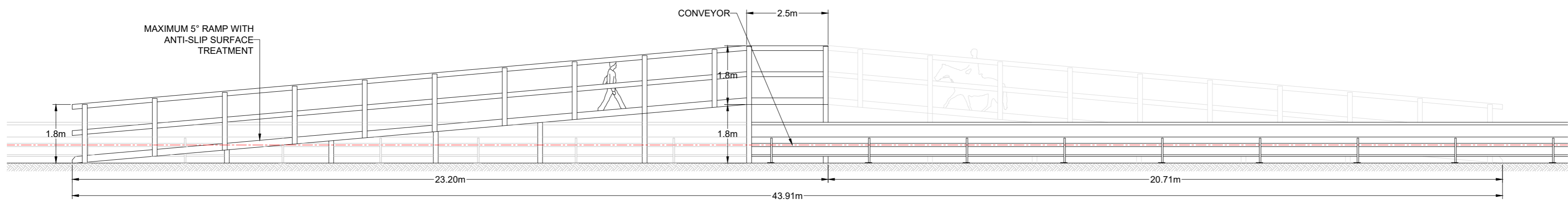
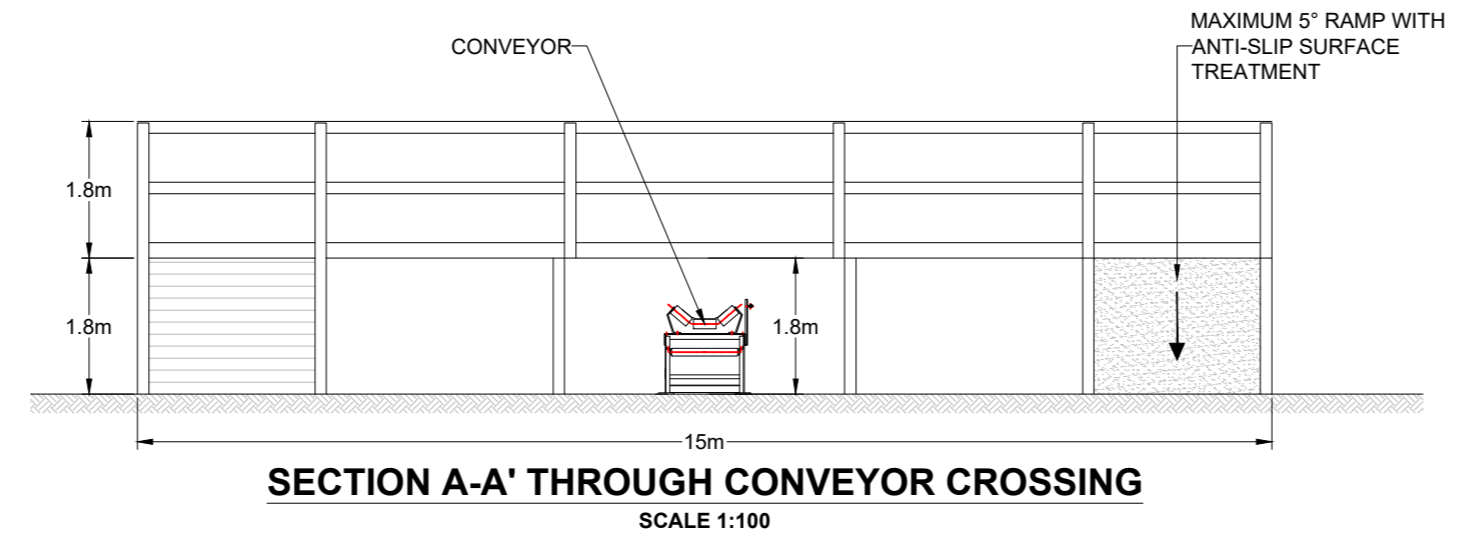
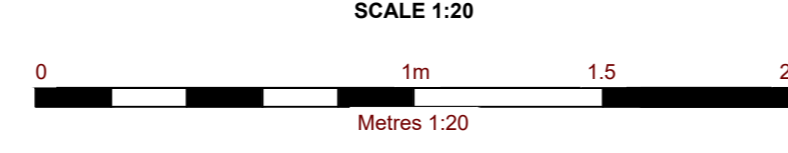


- NOTES**
1. ALL MEASUREMENTS ARE IN METRES UNLESS OTHERWISE SPECIFIED.
  2. FOOTPATH TO BE GATED WHERE ROAD CROSSINGS OCCUR.
- LEGEND**
- SITE BOUNDARY
  - PHASE BOUNDARY
  - ACCESS ROAD
  - CONVEYOR
  - FOOTPATH
  - CONVEYOR CROSSING

**PLAN SHOWING LOCATION OF CONVEYOR CROSSING**



**TYPICAL COVERED GROUND CONVEYOR DETAILS**



**HIVE**  
AGGREGATES

**SLR**  
global environmental solutions

2<sup>nd</sup> and 3<sup>rd</sup> FLOORS  
15 MIDDLE PAVEMENT  
NOTTINGHAM  
NG1 7DX  
T: 01159 547250  
F: 01159 751576  
www.slronline.com

**LOUND**

PLANNING APPLICATION  
**CONVEYOR - CROSSING PLAN & TYPICAL DETAILS**

**015**

Scale AS SHOWN @ A1 Date FEBRUARY 2023

403\_000007\_00001\_1.2.01.5.0\_Conveyor\_Crossing.dwg